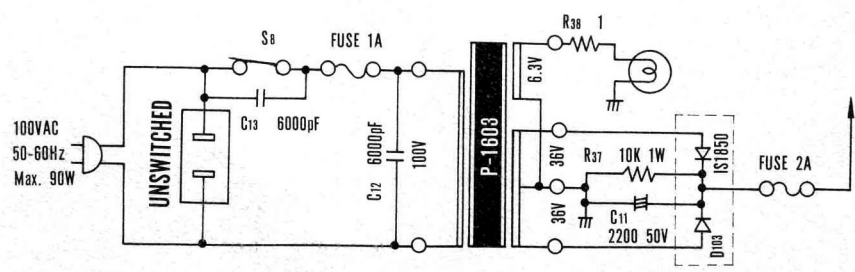
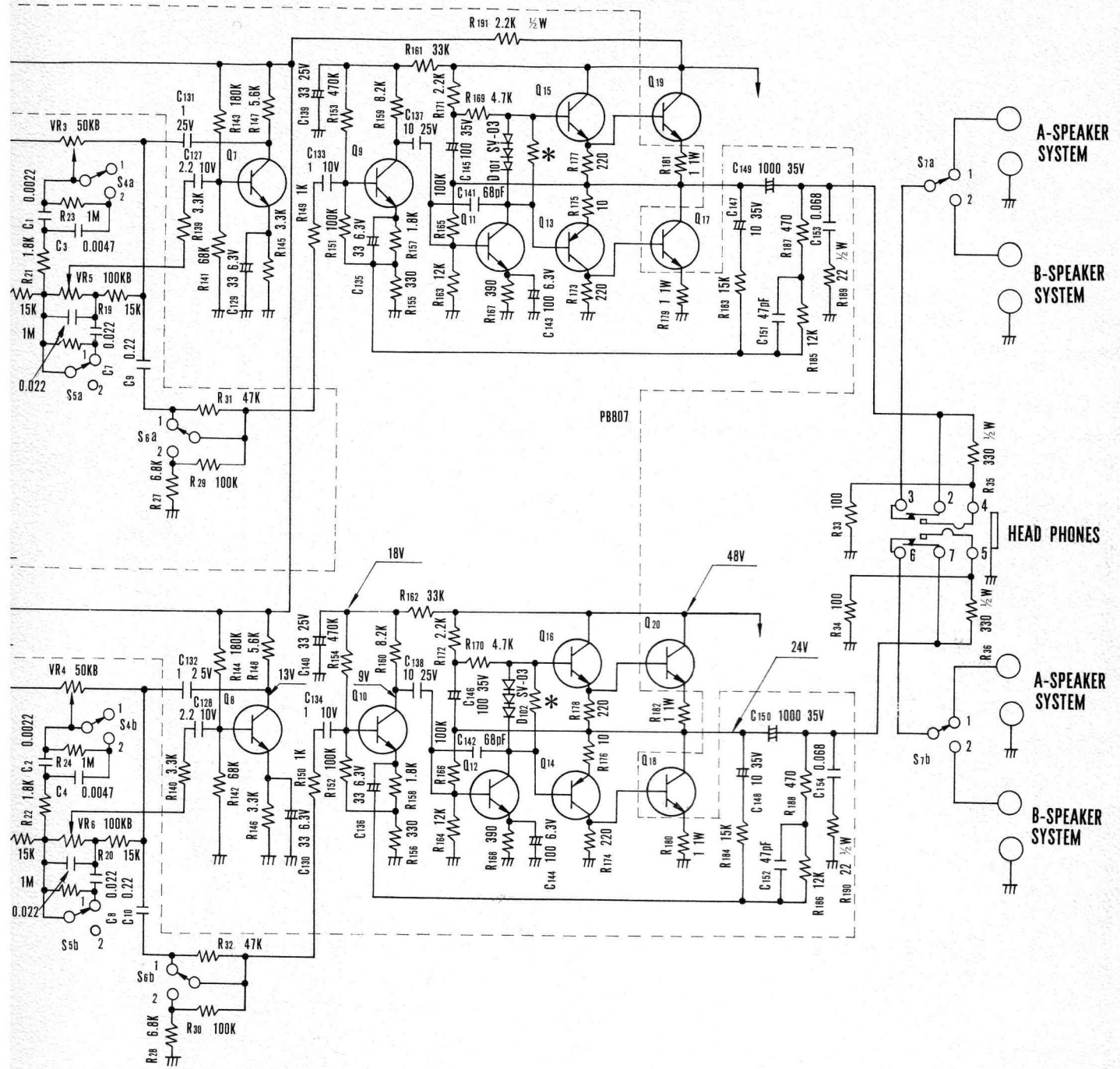


- S<sub>1</sub> FUNCTION (1. AUXILIARY 2. PHONO 3. TUNER 4. TAPE RECORDER)
- S<sub>2</sub> MONITOR (1. OUT 2. IN)
- S<sub>3</sub> MODE (1. STEREO 2. MONO L+R)
- S<sub>4</sub> TREBLE (1. MILD 2. INTENSE)
- S<sub>5</sub> BASS (1. MILD 2. INTENSE)
- S<sub>6</sub> ATTENUATOR (1. NORMAL 2. ATTENUATOR)
- S<sub>7</sub> SPEAKER SYSTEM (1. A-SPEAKER 2. B-SPEAKER)
- S<sub>8</sub> POWER ON --- OFF

- VR1 BALANCE CONTROL
- VR2 VOLUME CONTROL
- VR3, VR4 TREBLE CONTROL
- VR5, VR6 BASS CONTROL

- Q1 ~ Q8 2SC693GU
- Q9, Q10 2SC694G
- Q11, Q12 2SC734Y or 2SC815L
- Q13, Q14 2SA545
- Q15, Q16 2SC853
- Q17 ~ Q20 2SD92

UNLESS OTHERWISE SPECIFIED,  
ALL RESISTORS ARE IN OHM,  $\frac{1}{4}$  W,  
K =  $\times 10^3$ , M =  $\times 10^6$   
ALL CAPACITORS ARE IN MFD,  
DC VOLTAGES MEASURED TO GF



**SQ707**

TT ±10%,  
IND WITH ZERO SIGNAL.