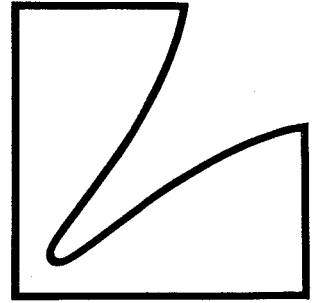
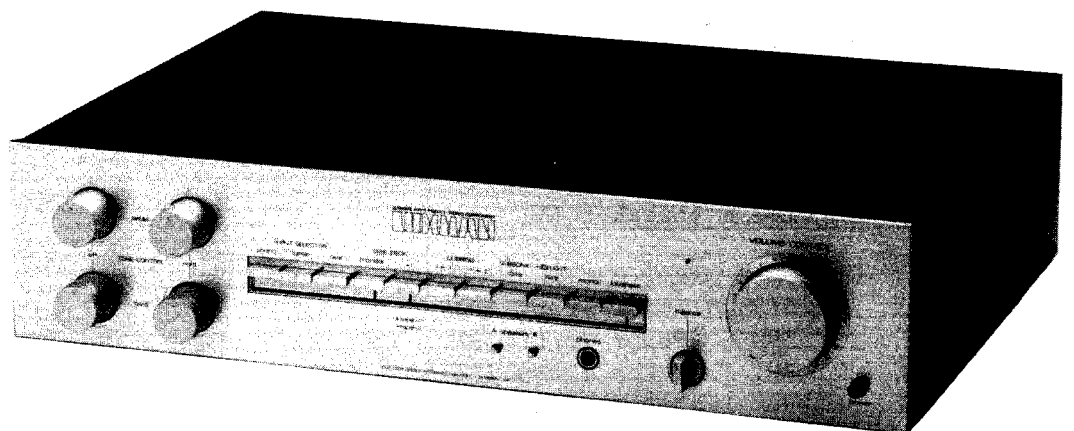


SERVICE MANUAL



SOLID STATE STEREO
INTEGRATED AMPLIFIER

L-4



Idle Adjustment

- (1) Detach the fuses from the fuseholders (F401) fixed on PD1257.
- (2) Connect a DC amperemeter to each fuseholder (F401)
(Print terminal is positive.)
- (3) Adjust VR401 to obtain 50mA reading on the meter 1 minute after turning the Power Switch on. (This is for Lch.)
- (4) Same procedures from (1) to (3) should be taken on F501 of PB1258 against Rch.

DC Offset Adjustment

- (1) Measure to confirm at the speaker terminals or between R-out and L-out terminals and the ground that DC voltage is within the limit of $\pm 50\text{mV}$.

Replacement Parts ListExploded View

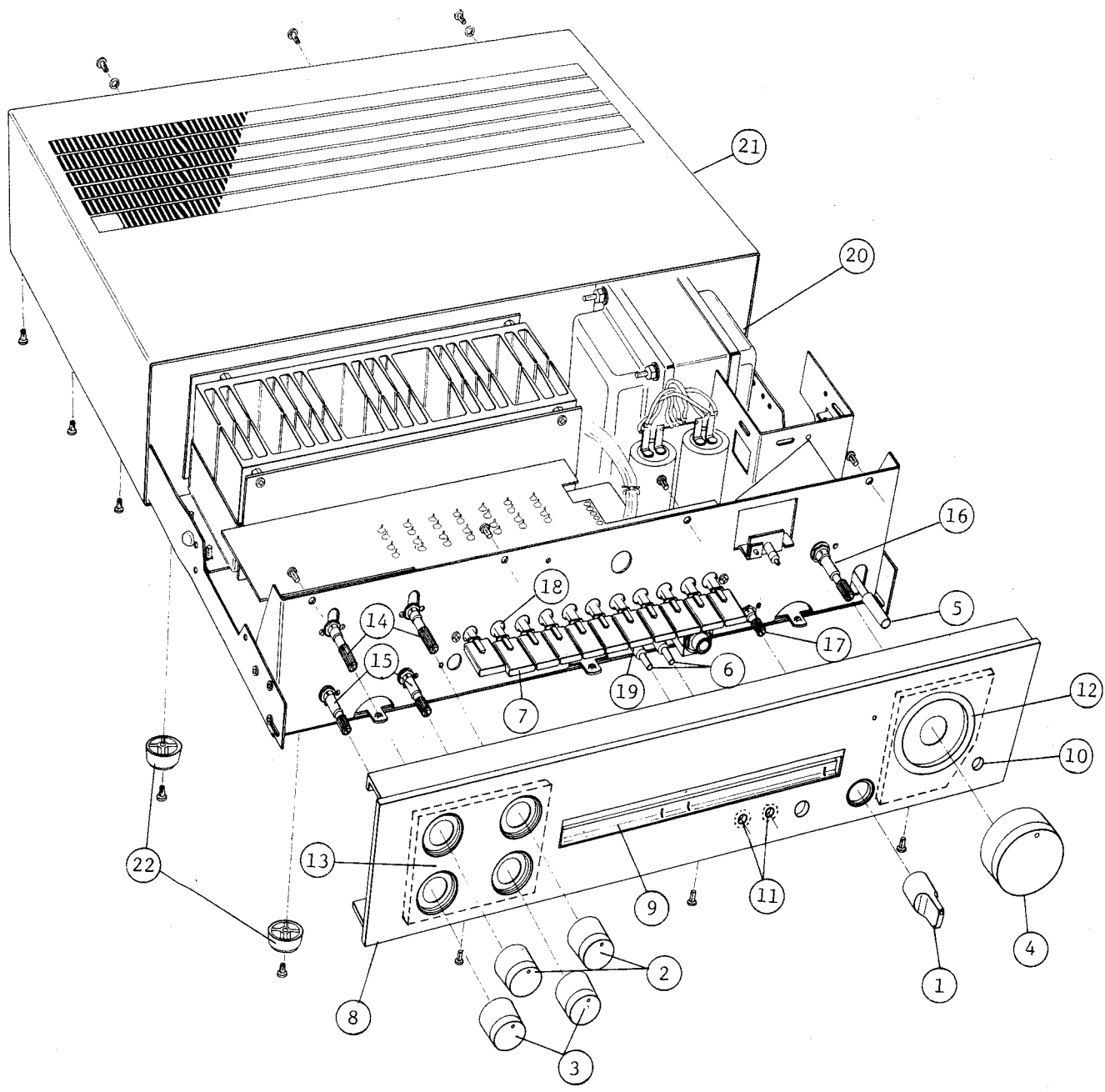
| SYMBOL NO. | STOCK NO. | DESCRIPTION |
|---------------------|-----------|-----------------|
| (Knob) | | |
| 1 | WH1079 | Balance |
| 2 | WH1080 | Treble |
| 3 | WH1080 | Bass |
| 4 | WH1081 | Main VR. |
| 5 | WJ1089 | Power |
| 6 | WJ1106 | Speaker |
| 7 | WJ1107 | Select |
| (Front Panel Ass'y) | | |
| 8 | WA1166 | Front Panel |
| 9 | WD1089 | Escutcheon |
| 10 | WE1066 | Protector |
| 11 | WE1086 | Protector |
| 12 | WL1062 | Name Plate |
| 13 | WQ1017 | Fiber |
| (Switch and Volume) | | |
| 14 | RV0206 | 50K Treble VR |
| 15 | RV0207 | 100K Bass VR |
| 16 | RV0223 | 200K Main VR |
| 17 | RV0205 | 250K Balance VR |
| 18 | SP0106 | Select SW |
| 19 | SP0107 | Speaker SW |
| Chassis) | | |
| 20 | PT2379 | Power Trans (U) |
| | PT2380 | Power Trans (S) |
| | PT2381 | Power Trans (E) |
| 21 | UG1010 | Bonnet (S,E) |
| | UG1021 | Bonnet (U) |
| 22 | WN0007 | Foot |

Rear Panel Ass'y

| STOCK NO. | DESCRIPTION |
|-----------|----------------|
| AC0002 | DIN Connector |
| AT0080 | SP Terminal |
| UC1133 | Rear Panel (S) |
| UC1134 | Rear Panel (E) |
| UC1135 | Rear Panel (U) |

Packing Material

| STOCK NO. | DESCRIPTION |
|-----------|----------------|
| XA1208 | Carton |
| XB1023 | Pad |
| ME0122 | Owner's Manual |



Replacement Parts ListRemarks

Capacitors: C.....Ceramic, E.....Electrolytic, M.....Mylar, G.....G Capacitor
 S.....Styrol, T.....Tantalum, Mi....Mica, MP....MP Capacitor
 O.....Oil capacitor, TRIM.....Trimmer capacitor, AC....AC Capacitor
 BP....Electrolytic Bi-Polar type

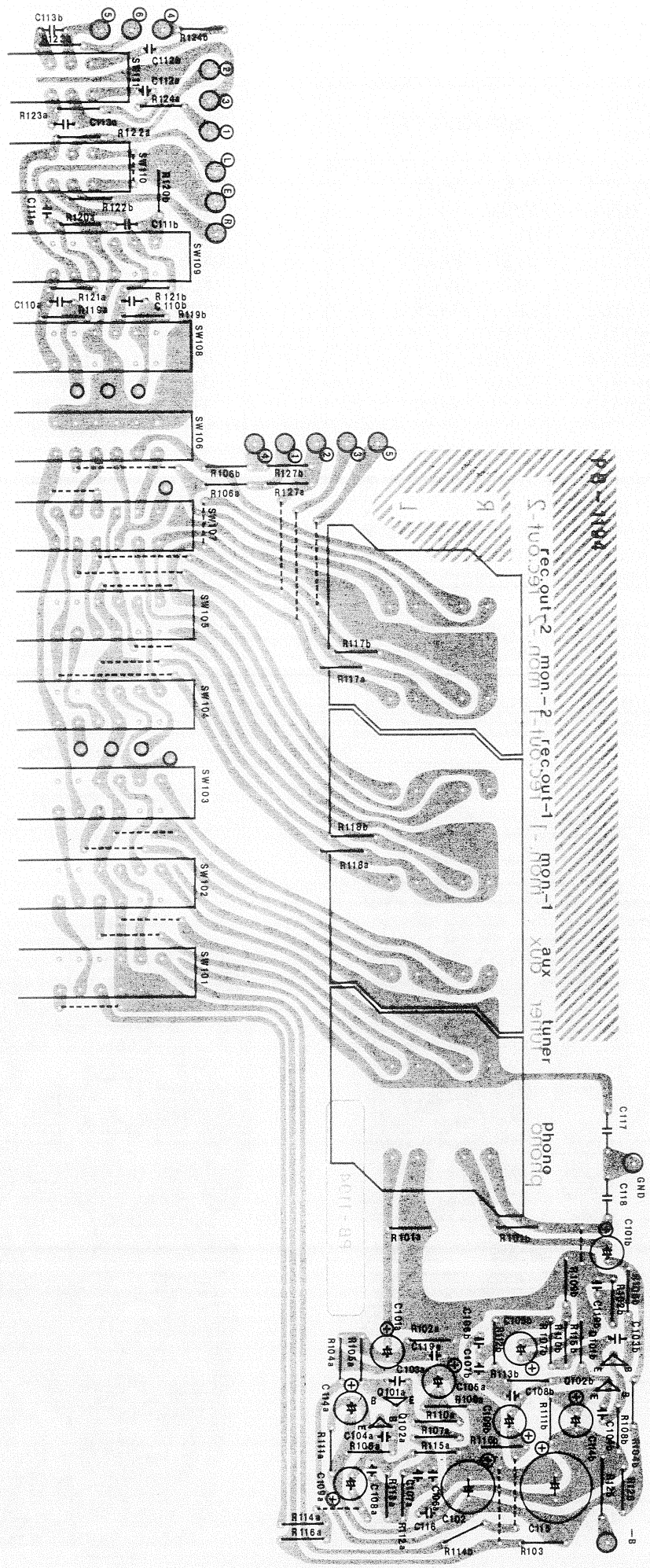
Resistors: 10%, 5%, 1/4W, unless specified otherwise

Type: (S).....Model for north European countries
 (U).....Model for U.S.A. and CANADA
 (E).....Standard model
 (J).....Model for JAPAN

RB-1194B

| SYMBOL NO. | STOCK NO. | DESCRIPTION | |
|------------|-----------|----------------|----------|
| R101ab | RB0224 | 56K | R-25 |
| 102ab | 0246 | 470K | " |
| 103 | 0210 | 15K | " |
| 104ab | 0254 | 1M | " |
| 105ab | 0182 | 1K | " |
| 106ab | 0234 | 150K | " |
| 107ab | 0174 | 470 | " |
| 108ab | 0230 | 100K | " |
| 109ab | 0222 | 47K | " |
| 110ab | 0180 | 820 | " |
| 111ab | 0184 | 1.2K | " |
| 112ab | 0220 | 39K | " |
| 113ab | 0252 | 820K | " |
| 114ab | 0174 | 470 | " |
| 115ab | 0204 | 8.2K | " |
| 116ab | 0242 | 330K | " |
| 117ab | 0254 | 1M | " |
| 118ab | " | " | " |
| 119ab | " | " | " |
| 120ab | " | " | " |
| 121ab | 0202 | 6.8K | " |
| 122ab | " | " | " |
| 123ab | 0208 | 12K | " |
| 124ab | 0216 | 27K | " |
| 125 | RS0066 | 100 | 1/4W |
| 126 | RB0220 | 39K | R-25 |
| 127ab | 0234 | 150K | " |
| C101ab | CE0173 | 3.3 μ F | 25V LR E |
| 102 | 0079 | 220 μ F | 16V E |
| 103ab | CC0008 | 150pFK | C |
| 104ab | CC0038 | 5pF | C |
| 105ab | CE2030 | 10 μ F | 16V LL E |
| 106ab | CQ0130 | 0.001 μ F | My |
| 107ab | " | " | " |
| 108ab | CQ0122 | 0.0068 μ F | " |
| 109ab | CE0189 | 0.47 μ F | 50V LR E |
| 110ab | CQ0121 | 0.12 μ F | My |
| 111ab | CQ0330 | 0.0033 μ F | My |

| SYMBOL NO. | STOCK NO. | DESCRIPTION | |
|------------|-----------|-----------------|----------|
| 112ab | CC0011 | 470pF | C |
| 113ab | CQ0031 | 0.033 μ F | My |
| 114ab | CE0810 | 47 μ F | 10V ML E |
| 115 | CE0858 | 100 μ F | 50V ML E |
| 116 | CK0145 | 0.022 μ F | C |
| 117 | CK0159 | 0.1 μ F | C |
| 118 | " | " | C |
| 119ab | CC0005 | 33pF | C |
| add. | CE0817 | 10 μ F | 16V ML E |
| SW101~ | | | |
| 111 | SP0106 | 11-key push sw. | |
| Q101ab | TRO091 | 2SA836(TO-92) E | |
| 102ab | TRO174 | 2SC1345(TO-92)E | |

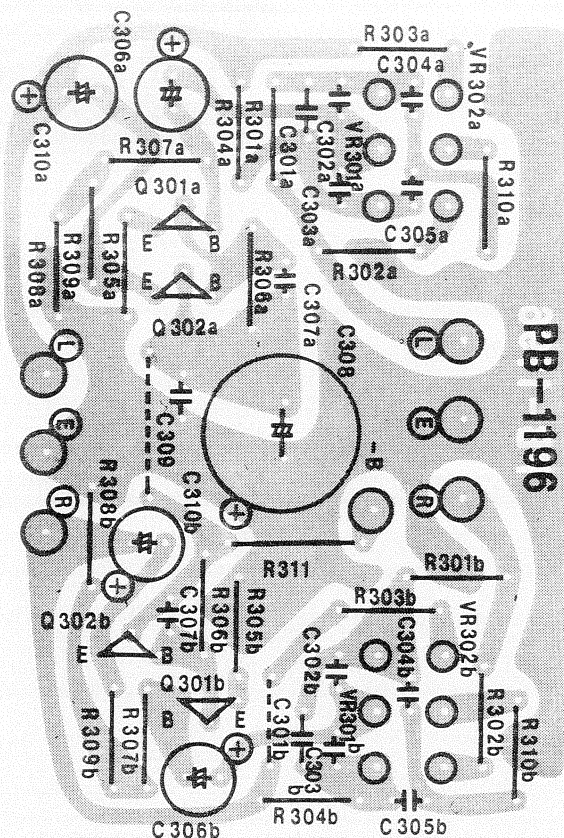
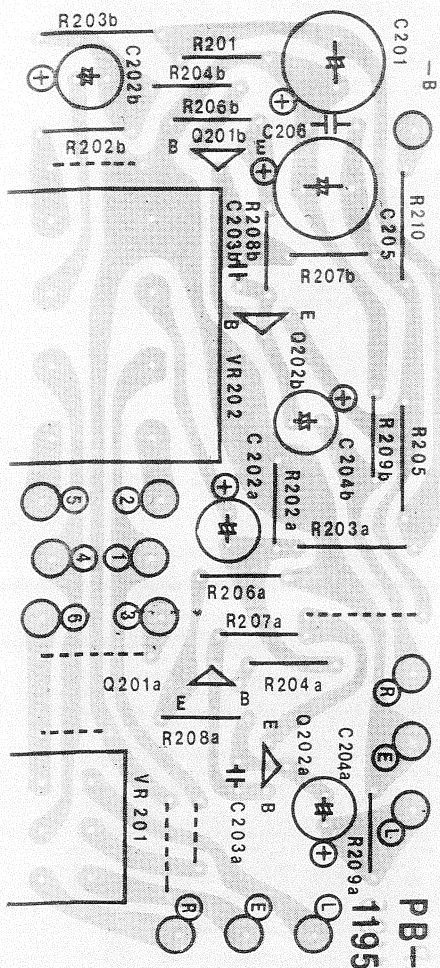


RB1195C

| SYMBOL NO. | STOCK NO. | DESCRIPTION |
|------------|-----------|-----------------|
| R201 | RB0218 | 33K R-25 |
| 202ab | 0246 | 470K " |
| 203ab | RD0004 | 1M 1/4W |
| 204ab | RB0190 | 2.2K R-25 |
| 205 | RD0022 | 47K 1/4W |
| 206ab | RB0182 | 1K R-25 |
| 207ab | RB0214 | 22K " |
| 208ab | RB0198 | 4.7K " |
| 209ab | RB0242 | 330K " |
| 210 | RS0080 | 270 1/4W |
| C201 | CE0821 | 100µF 16V E |
| 202ab | CE0183 | 1µF 50V LR E |
| 203ab | CC0037 | 5pF C |
| 204ab | CE0173 | 3.3µF 25V LR E |
| 205 | CE0843 | 100µF 35V E |
| 206 | CK0145 | 0.022µF C |
| VR201 | RV0205 | 250K-MN balance |
| VR202 | RV0223 | 200KBx2 main VR |
| Q201ab | TR0091 | 2SA836 (TO-92) |
| 202ab | TR0174 | 2SC1345 (TO-92) |

PB-1196B

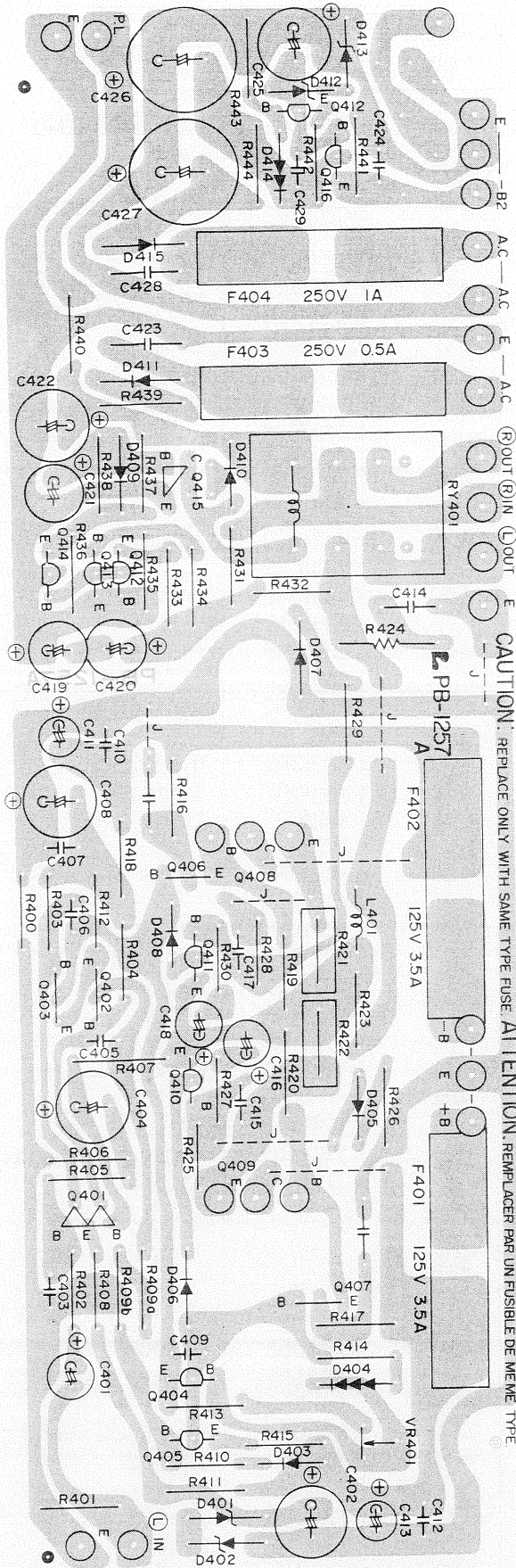
| SYMBOL NO. | STOCK NO. | DESCRIPTION |
|------------|-----------|----------------|
| R301ab | RB0212 | 18K R-25 |
| 302ab | RB0186 | 1.5K " |
| 303ab | " | " " |
| R304ab | RB0212 | 18K R-25 |
| 305ab | 0190 | 2.2K " |
| 306ab | 0216 | 27K " |
| 307ab | 0234 | 150K " |
| 308ab | 0182 | 1K " |
| 309ab | 0200 | 5.6K " |
| 310ab | 0188 | 1.8K " |
| 311 | RS0068 | 180 1/4W |
| C301ab | CQ0124 | 0.022µF My |
| 302ab | CQ0130 | 1000pF " |
| 303ab | " | " " |
| 304ab | CQ0334 | 1800pF " |
| 305ab | " | " " |
| 306ab | CE0173 | 3.3µF 25V LR E |
| 307ab | CC0012 | 10pF C |
| 308 | CE0844 | 220µF 35V E |
| 309 | CK0145 | 0.022µF C |
| VR301ab | RV0207 | 100KB |
| 302ab | RV0206 | 50KB |
| Q301ab | TR0091 | 2SA836 (TO-92) |



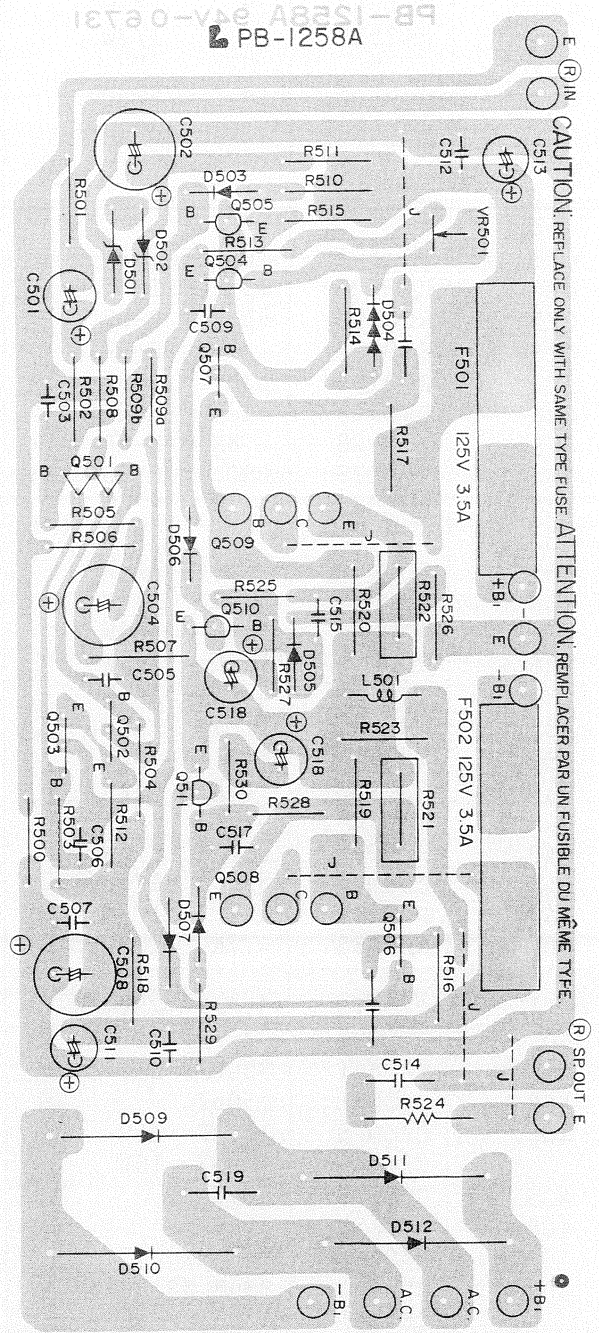
PB-1257

| SYMBOL NO. | STOCK NO. | DESCRIPTION | |
|------------|-----------|-------------|----------|
| R401 | RDO017 | 100K | 1/4 |
| 402 | RDO039 | 2.2K | 1/4 |
| 403 | RDO043 | 1K | " |
| 404 | " | " | " |
| 405 | RDO030 | 10K | " |
| 406 | RDO049 | 390 | 1/4 |
| 407 | RDO030 | 10K | " |
| 408 | RDO028 | 15K | " |
| 409ab | RDO036 | 3.9K | " |
| 410 | RS1048 | 39 | 1/4W |
| 411 | RS2525 | 1.2K | 1/2W |
| 412 | RS1046 | 33 | 1/4W |
| 413 | RDO047 | 560 | 1/4W |
| 414 | RDO051 | 270 | 1/4W |
| 415 | RS1048 | 39 | 1/4W |
| 416 | RS2501 | 10 | 1/2W |
| 417 | " | " | " |
| 418 | RS2510 | 68 | 1/2W |
| 419 | RS2513 | 120 | 1/2W |
| 420 | " | " | " |
| 421 | RG3314 | 0.33 | cement |
| 422 | " | " | " |
| 423 | RS2501 | 10 | 1/2W |
| 424 | RS2708 | 15 | 1W |
| 425 | RBO156 | 82 | R-25 |
| 426 | RDO128 | 1.8K | R-50 |
| 427 | RBO178 | 680 | R-25 |
| 428 | RBO156 | 82 | R-25 |
| 429 | RDO128 | 1.8K | R-50 |
| 430 | RBO178 | 680 | R-25 |
| 431 | RDO024 | 33K | 1/4W |
| 432 | " | " | " |
| 433 | RDO030 | 10K | 1/4W |
| 434 | RDO039 | 2.2K | 1/4W |
| 435 | RDO033 | 6.8K | 1/4W |
| 436 | RDO042 | 1.2K | 1/4W |
| 437 | RDO035 | 4.7K | 1/4W |
| 438 | RDO015 | 150K | 1/4W |
| 439 | RS2501 | 10 | 1/2W |
| 440 | RS2526 | 1.5K | 1/2W |
| 441 | RDO024 | 3.3K | 1/4W |
| 442 | RS0079 | 120 | 1/4W |
| 443 | RDO021 | 56K | 1/4 |
| 444 | RS2512 | 100 | 1/2W |
| ADD. | RDO035 | 4.7K | 1/4 |
| C401 | CE0173 | 3.3μF | 25V LR E |
| 402 | CE0093 | 33μF | 35V E |
| | CE0841 | 33μF | 35V E |
| 403 | CC0071 | 150pF | C |
| 404 | CE0078 | 100μF | 16V E |
| | CE0821 | 100μF | 16V E |
| 405 | CC0157 | 15pF | C |
| 406 | CC0158 | 33pF | C |
| 407 | CK0146 | 0.04μF | C |
| 408 | CE0451 | 33μF BP | 50V(U)E |
| | CE0961 | 33μF BP | 50V(U)E |
| | CE0102 | 47μF | 50V(E) E |
| | CE0857 | 47μF | 50V(E) E |

| SYMBOL NO. | STOCK NO. | DESCRIPTION | |
|------------|-----------|-------------|----------|
| C408 | CE0102 | 47μF | 50V (S)E |
| 409 | CK0146 | 0.04μF | C |
| 410 | " | " | C |
| 411 | CE0317 | 2.2μF BP | 50V E |
| | CE0956 | " | " " E |
| 412 | CK0146 | 0.04μF | C |
| 413 | CE0317 | 2.2μF BP | 50V E |
| | CE0956 | " | " " " " |
| 414 | CQ0606 | 0.047μF | F |
| 415 | CQ0010 | 0.039μF | My |
| 416 | CE0076 | 33μF | 16V E |
| | CE0819 | " | " E |
| 417 | CQ0010 | 0.039μF | My |
| 418 | CE0076 | 33μF | 16V E |
| | CE0819 | " | " E |
| 419 | CE0069 | 100μF | 10V E |
| | CE0811 | " | " E |
| 420 | CE0069 | " | " E |
| | CE0811 | " | " E |
| 421 | CE0069 | " | " E |
| | CE0811 | " | " E |
| 422 | CE0145 | 100μF | 25V E |
| | CE0832 | " | " E |
| 423 | CK0203 | 0.01μF | C |
| 424 | CQ0007 | 0.068μF | My |
| 425 | CE0095 | 100μF | 35V E |
| | CE0843 | " | " " |
| 426 | CE1079 | 470μF | 50V E |
| | CE0861 | " | " E |
| 427 | CE0146 | 220μF | 50V E |
| | CE0859 | 220μF | 50V E |
| 428 | CK0203 | 0.01μF | C |
| 429 | CC0007 | 100pF | C |
| D401 | TD0109 | WZ-150 | zener |
| 402 | " | " | " |
| 403 | TD0016 | 1S1555 | |
| 404 | TV0020 | STV-3H | varistor |
| 405 | TD0016 | 1S1555 | |
| 406 | " | " | |
| 407 | " | " | |
| 408 | " | " | |
| 409 | " | " | |
| 410 | " | " | |
| 411 | TD0002 | 1N4002 | |
| 412 | TD0124 | WZ-172 | zener |
| 413 | " | " | " |
| 414 | TV0030 | KB-265C4 | varistor |
| 415 | TD0002 | 1N4002 | |
| Q401 | TR0284 | 2SA979-13-G | |
| 402 | TR0196 | 2SD668 | |
| 403 | " | " | |
| 404 | TR0146 | 2SC1740 | |
| 405 | TR0197 | 2SB716 | |
| 406 | TR0286 | 2SB649 | |
| 407 | TR0279 | 2SD669 | |
| 408 | TR0285 | 2SA1104 | power |



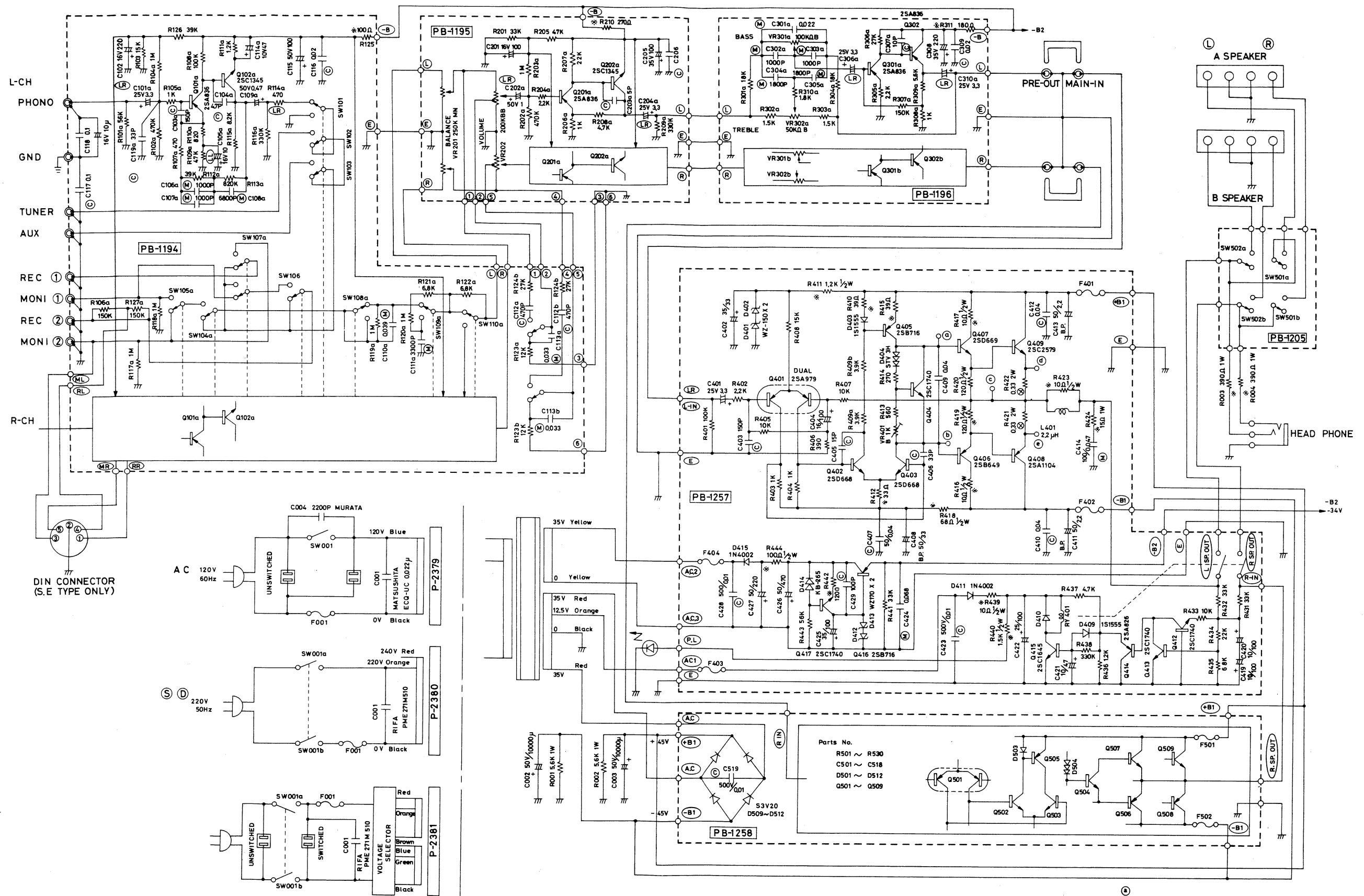
| SYMBOL NO. | STOCK NO. | DESCRIPTION |
|------------|-----------|---------------|
| Q409 | TR0287 | 2SC2579 power |
| 410 | TR0146 | 2SC1740 |
| 411 | TR0148 | 2SA826 |
| 412 | TR0146 | 2SC1740 |
| 413 | " | " |
| 414 | TR0148 | 2SA826 |
| 415 | TR0259 | 2SC2120 |
| 415 | TR0319 | 2SC1344 |
| 416 | TR0197 | 2SB716 |
| 417 | TR0146 | 2SC1740 |
| RY401 | AY0046 | Relay GZ-12H |
| L401 | LA1004 | Choke 627 |



PB1258A

| SYMBOL NO. | STOCK NO. | DESCRIPTION |
|------------|-----------|----------------|
| R501 | RDO017 | 100K 1/4W |
| 502 | RDO039 | 2.2K 1/4W |
| 503 | RDO043 | 1K 1/4W |
| 504 | " | " " |
| 505 | RDO030 | 10K 1/4W |
| 506 | RDO049 | 390 " |
| 507 | RDO030 | 10K 1/4W |
| 508 | RDO028 | 15K 1/4W |
| 509ab | RDO036 | 3.9K 1/4W |
| 510 | RS1048 | 39 1/4W |
| 511 | RS2525 | 1.2K 1/4W |
| 512 | RS1046 | 33 1/4W |
| 513 | RDO047 | 560 1/4W |
| 514 | RDO051 | 270 1/4W |
| 515 | RS1048 | 39 1/4W |
| 516 | RS2501 | 10 1/2W |
| 517 | " | " " |
| 518 | RS2510 | 68 1/2W |
| 519 | RS2513 | 120 1/2W |
| 520 | " | " " |
| 521 | RG3314 | 0.33 cement |
| 522 | " | " " |
| 523 | RS2501 | 10 1/2W |
| 524 | RS2708 | 15 1W |
| 525 | RB0156 | 82 R-25 |
| 526 | RD0128 | 1.8K R-50 |
| 527 | RB0178 | 680 R-25 |
| 528 | RB0156 | 82 R-25 |
| 529 | RD0128 | 1.8K R-50 |
| 530 | RB0178 | 680 R-25 |
| 534 | RD0039 | 2.2K 1/4W |
| C501 | CE0173 | 2.2μF 25V LR E |
| 502 | CE0841 | 33μF 35V E |
| 503 | CC0071 | 150pF C |
| 504 | CE0821 | 100μF 16V E |
| 505 | CC0157 | 15pF C |
| 506 | CC0158 | 33pF C |
| 507 | CK0146 | 0.04μF C |
| 508 | CE0961 | 33μF 50V BP E |
| 509 | CK0146 | 0.04μF C |
| 510 | " | " " |
| 511 | CE0956 | 2.2μF 50V BP E |
| 512 | CK0146 | 0.04μF C |

| SYMBOL NO. | STOCK NO. | DESCRIPTION |
|------------|-----------|---------------------|
| 513 | CE0956 | 2.2μF 50V BP E |
| 514 | CQ0616 | 0.047μF F |
| 515 | CQ0010 | 0.039μF My |
| 516 | CE0819 | 33μF 16V E |
| 517 | CQ0010 | 0.039μF My |
| 518 | CE0819 | 33μF 16V E |
| 519 | CK0203 | 0.01μF C |
| D501 | TD0109 | WZ-150 zener |
| 502 | " | " " |
| 503 | TD0016 | 1S1555 |
| 504 | TV0020 | STV-3H varistor |
| 505 | TD0016 | 1S1555 |
| 506 | TD0016 | 1S1555 |
| 507 | " | " |
| 508 | " | " |
| 509 | TD0105 | S3V20 |
| 512 | " | " |
| Q501 | TR284 | 2SA979-13-C |
| 502 | TR0196 | 2SD668 |
| 503 | " | " |
| 504 | TR0146 | 2SC1740 |
| 505 | TR0197 | 2SB716 |
| 506 | TR0286 | 2SB649 |
| 507 | TR0279 | 2SD669 |
| 508 | TR0285 | 2SA1104 power |
| 509 | TR0287 | 2SC2579 power |
| 510 | TR0146 | 2SC1740 |
| 511 | TR0148 | 2SA826 |
| L501 | LA1004 | Choke 627 |
| VR501 | RT0015 | 1K-B trimmer |
| | AH0003 | Fuse Holder (E) (U) |
| | AH0028 | " " (S) |
| | BE1060 | Heat Sink 1060 |
| F501 | BF0080 | Fuse 3.5A (U) |
| | BF0120 | " 3.5A (E) |
| | BF0210 | " 2A (T) (S) |
| F502 | BF0080 | Fuse 3.5A (U) |
| | BF0120 | " 3.5A (E) |
| | BF0210 | " 2A (T) (S) |



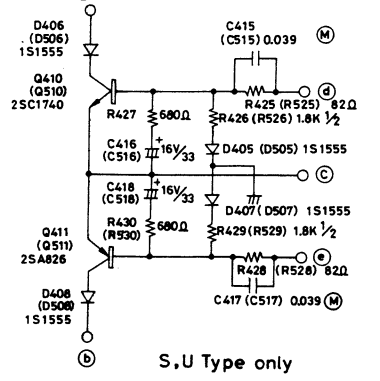
- NOTE: SW001 POWER SW.
 SW101 PHONO } INPUT
 SW102 TUNER } SELECTOR
 SW103 AUX }
 SW104 MONITOR SW.
 SW105 MONITOR 1,2 SELECTOR
 SW106 DUBBING 1→2
 SW107 DUBBING 2→1
- SW108 SUBSONIC FILTER 25Hz
 SW109 HIGH CUT FILTER 7Kz
 SW110 MODE SW.
 SW111 LOUDNESS
- SW501 A SPEAKER SW.
 SW502 B SPEAKER SW.

| | U Type | S Type | E Type |
|---------------------------|----------------|--------------|----------------------------|
| F 001 | ULCS 125V 4A | Ⓢ Ⓣ 250V1.4A | 100-120V 4A 220-240V 2A |
| F401, F402 F 501, F502 | ULCS 125V 3.5A | 250V 2A | 3.5A |
| F403 | ULCS 250V 0.5A | 250V100mA | 0.5A |
| F404 | ULCS 250V 1A | 250V100mA | 1 A |

1. UNLESS OTHERWISE SPECIFIED, ALL RESISTORS ARE IN OHM 1/4 WATT. ALL CAPACITORS IN MICRO FARAD.
 2. TRANSISTORS AND DIODES MAY BE REPLACED WITH ANY TYPE HAVING COMPARABLE RATINGS.
 3. DUE TO CONTINUED IMPROVEMENTS LUX RESERVE THE RIGHT TO ALTER THE CIRCUIT OR SPECIFICATION.

- CAPACITOR Ⓢ Ceramic capacitor
 Ⓜ Mylar film
 Ⓛ Low leakage type
- RESISTOR * Nonflamable type
 ⊗ Metal plate cement resistor

L-4



S, U Type only

L-4 SPECIFICATIONS

| | | | |
|---|--|--|----------|
| Power Output: | 55 watts minimum continuous per channel both channels driven into 8-ohm loads at any frequency from 20Hz to 20,000Hz with no more than 0.02% total harmonic distortion. | | |
| Rated I.M.: | no more than 0.02% (8 ohms, 55W/ch, 60Hz : 7 kHz = 4 : 1) | | |
| Frequency Response: | 10Hz – 100kHz (within –1dB) | | |
| Input Sensitivity & Input Impedance: | PHONO | 2.5mV | 50k ohms |
| | TUNER | 150mV | 50k ohms |
| | AUX | 150mV | 50k ohms |
| | MONITOR-1 | 150mV | 50k ohms |
| | MONITOR-2 | 150mV | 50k ohms |
| | MAIN-IN | 800mV | |
| Signal-to-Noise Ratio: (input short-circuited) | PHONO | better than 92dB (IHF-A weighted, 10mV) | |
| | TUNER | better than 95dB (IHF-A weighted) | |
| | AUX | better than 95dB (IHF-A weighted) | |
| | MONITOR-1 | better than 95dB (IHF-A weighted) | |
| | MONITOR-2 | better than 95dB (IHF-A weighted) | |
| | MAIN-IN | better than 100dB (IHF-A weighted) | |
| Residual Noise: | no more than 1mV | | |
| Tone Control: | LUX NF type | | |
| Filter: | High Cut | 7kHz (–6dB/oct.) | |
| | Subsonic | 25Hz (–6dB/oct.) | |
| Channel Separation: | PHONO | better than 70 dB | |
| | AUX | better than 80 dB | |
| Additional Features: | Tape Monitor (dual), Tape Dubbing, Loudness Control, Mode Selector, Speaker Switch, Extra AC Outlets (E-type, U-type only), DIN Connector (E-type, S-type only), signal processing Terminals, Time-Delay Muting, Speaker Protection by Sensing DC. | | |
| Dimensions: | 438(W) x 289(D) x 105(H) (17-1/4" x 11-3/8" x 4-1/8") (including Legs, Rear Protrusions and Knobs) | | |
| Weight: | Net | 9.5kgs (20.9 lbs.) | |
| | Gross | 11.0kgs (24.2 lbs.) | |

Specifications and appearance design subject to change without notice.