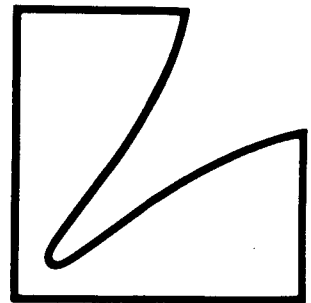


L-235/225

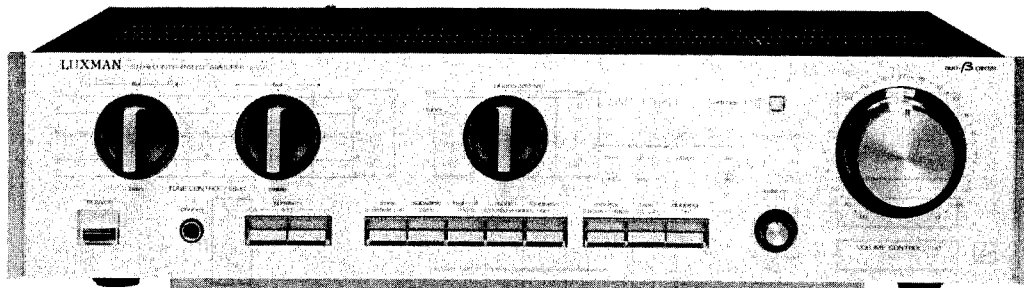
L-235/225

# SERVICE MANUAL

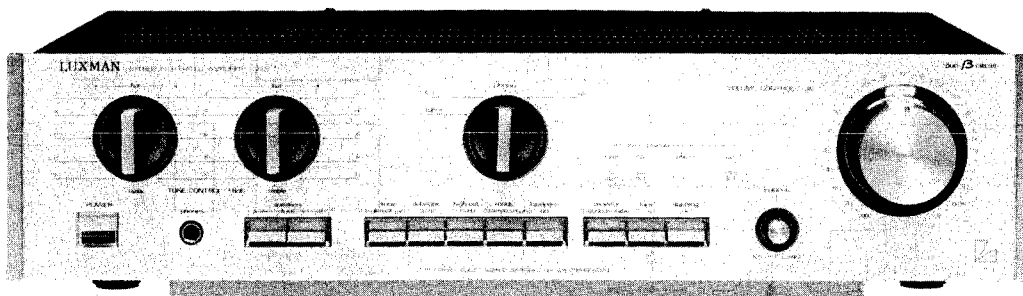


**DUO-BETA CIRCUIT STEREO  
INTEGRATED AMPLIFIER**

# L-235 L-225



L-235

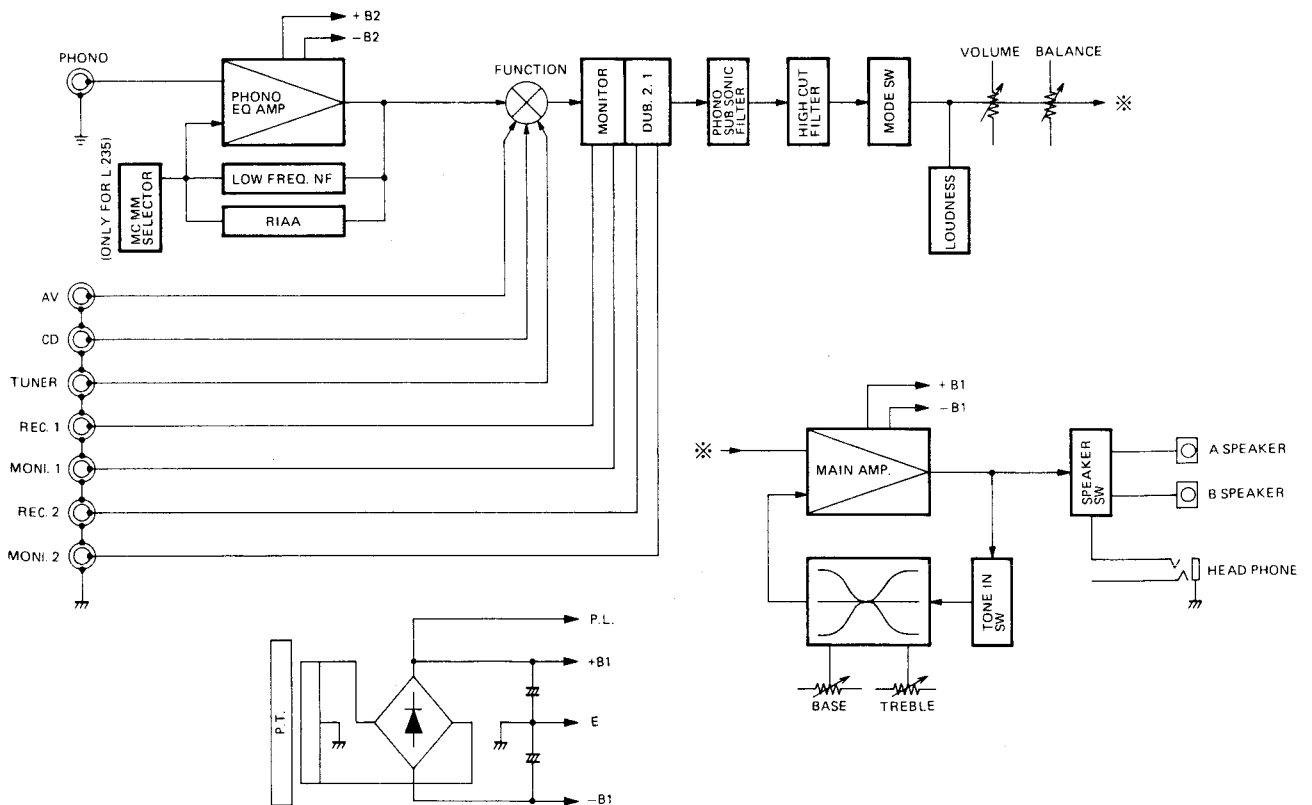


L-225

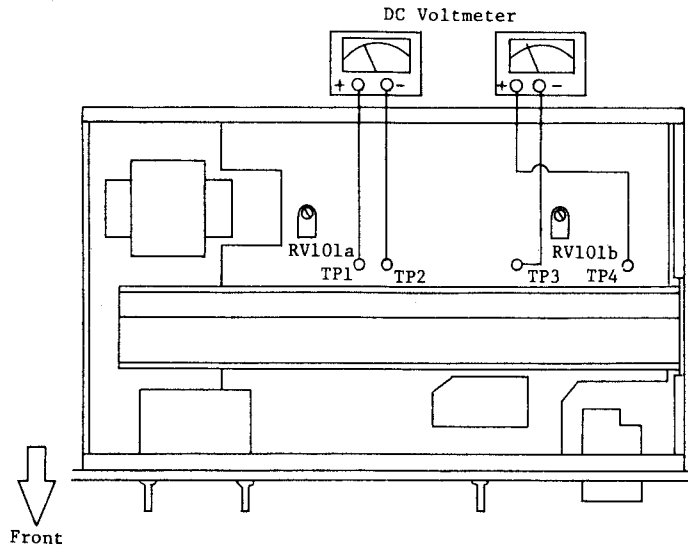
# Contents

|                                  |       |
|----------------------------------|-------|
| Block Diagram                    | 1     |
| Adjustment Procedures            | 2     |
| Packing Material Parts List      | 2     |
| Destination's Parts List         | 3     |
| Exploded View                    | 4     |
| Exploded View Parts List         | 5-7   |
| Pre Main Amp PCB                 | 8     |
| Tone Control PCB                 | 9     |
| Function SW PCB                  | 9     |
| VR Control PCB                   | 9     |
| AV Input Terminal PCB            | 9     |
| MC SW PCB                        | 9     |
| Pre Main Amp PCB Parts List      | 10,11 |
| Tone Control PCB Parts List      | 11    |
| Function SW PCB Parts List       | 11    |
| VR Control PCB Parts List        | 11    |
| AV Input Terminal PCB Parts List | 11    |
| MC SW PCB Parts List             | 11    |
| Schematic Diagram                | 12    |
| IC Handling Guide                | 13    |
| Specifications                   | 14    |

## Block Diagram



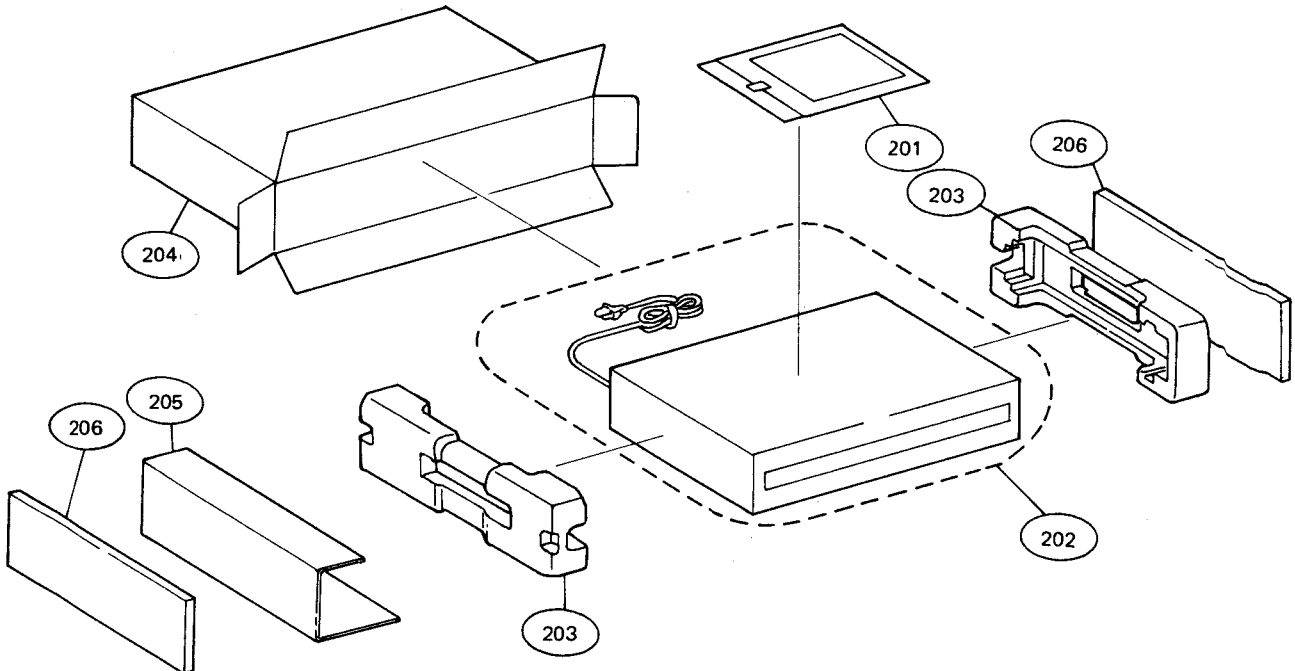
# Adjustment Procedures



## Bias (Idle) Current Adjustment

1. Connect a DC Voltmeter in between TP1 and TP2 on L-ch and or TP4 and TP3 on R-ch, Making TP1 and TP4 positive respectively.
2. Adjust the RV101a and RV101b to obtain  $15\text{mV} \pm 5\text{mV}$  reading on the meter.

## Packing Material Parts List



## Packing Material Parts List

| Index | Symbol No. | Stock No.   | Description             | Remarks |
|-------|------------|-------------|-------------------------|---------|
|       | 201        | 68P65432F35 | Owner's Manual          |         |
|       | 202        | 56B63425F11 | S, Poly 620x480         |         |
|       | 203        | 56C56637F01 | Packing Tray            |         |
|       | 204        | 56C60482F40 | Carton, Packing [L-225] |         |
|       |            | 56S60482F42 | Carton, Packing         |         |
|       | 205        | 56A67614F01 | Pad, Packing [L-235]    |         |
|       | 206        | 56A67599F01 | Pad, Packing [L-235]    |         |

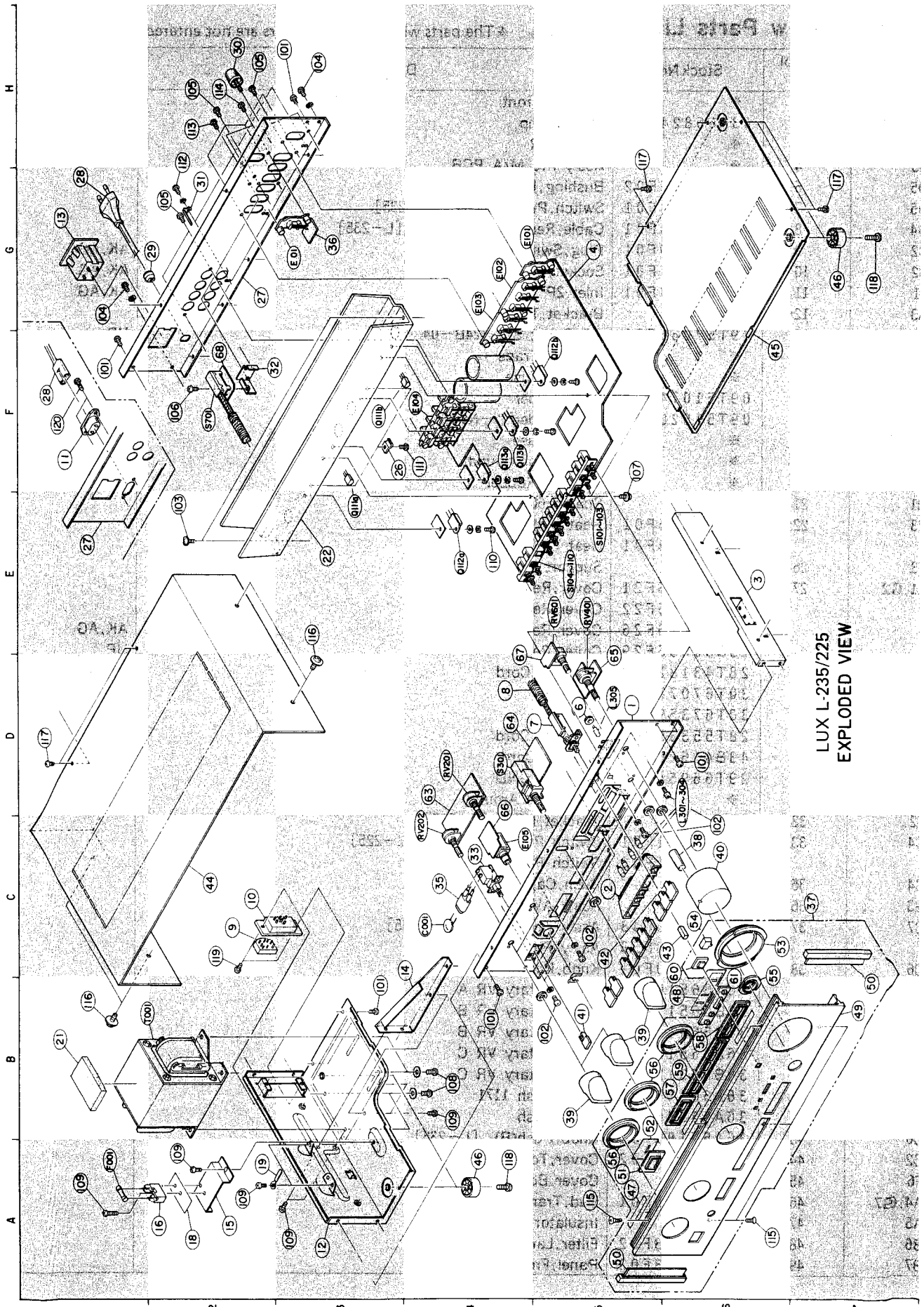
L-235/225

# Destination's Parts List

L-235/225

| Symbol No. | Description        | L-235                |                         |                                 |                                    |                      | L-225                |
|------------|--------------------|----------------------|-------------------------|---------------------------------|------------------------------------|----------------------|----------------------|
|            |                    | SK<br>220V<br>Europe | SD<br>220V<br>W.Germany | AK<br>220V<br>Europe<br>Other's | AG<br>240V<br>Australia<br>England | UP<br>120V<br>Canada | SK<br>220V<br>Europe |
| 7          | SW, Push           | 40T57371F01          | 40T57371F01             | 40T57371F01                     | 40T57371F01                        | 40T57371F01          | None Use             |
| 8          | Wire, Flex         | 45T57373F01          | 45T57373F01             | 45T57373F01                     | 45T57373F01                        | 45T57373F01          | None Use             |
| 9          | Plug, SW P-2120    | None Use             | None Use                | 09T51830F01                     | 09T51830F01                        | None Use             | None Use             |
| 10         | Socket, SW M-1615  | None Use             | None Use                | 09T51831F01                     | 09T51831F01                        | None Use             | None Use             |
| 11         | Inlet, 2P          | None Use             | None Use                | 09T67078F01                     | 09T67078F01                        | None Use             | None Use             |
| 13         | Outlet, AC         | None Use             | None Use                | None Use                        | None Use                           | 09T57066F01          | None Use             |
| 16         | Holder, Fuse       | 09T51074F01          | 09T51074F01             | 09T51074F01                     | 09T51074F01                        | 09T51828F01          | 09T51074F01          |
| 22         | Heat Sink          | 07C56668F01          | 07C56668F01             | 07C56668F01                     | 07C56668F01                        | 07C56668F01          | 07C56635F01          |
| 27         | Cover, Rear        | 15D56636F22          | 15D56636F22             | 15D56636F26                     | 15D56636F26                        | 15D56636F29          | 15D56636F21          |
| 28         | AC Cord            | 28T43182P02          | 28T43182P02             | 30T67077F01                     | 30T67359F01                        | 28T55335P02          | 28T43182P02          |
| 29         | Support, Cord      | 43B41625J02          | 43B41625J02             | None Use                        | None Use                           | 43B41625J02          | 43B41625J02          |
| 32         | Bkt. PCB           | *                    | *                       | *                               | *                                  | *                    | None Use             |
| 37         | Ass'y, Panel Front | 01V68100F58          | 01V68100F58             | 01V68100F58                     | 01V68100F58                        | 01V68100F58          | 01V68100F48          |
| 38         | Knob, Rotary A     | 36A66510F01          | 36A66510F01             | 36A66510F01                     | 36A66510F01                        | 36A66510F02          | 36A66510F01          |
| 39         | Knob, Rotary B     | 36B66511F01          | 36B66511F01             | 36B66511F01                     | 36B66511F01                        | 36B66511F03          | 36B66511F01          |
| 40         | Knob, Rotary C     | 36B66512F01          | 36B66512F01             | 36B66512F01                     | 36B66512F01                        | 36B66512F03          | 36B66512F01          |
| 43         | Knob, Push B       | 36A57180F01          | 36A57180F01             | 36A57180F01                     | 36A57180F01                        | 36A57180F01          | None Use             |
| 49         | Panel, Front       | 64D66508F04          | 64D66508F04             | 64D66508F04                     | 64D66508F04                        | 64D66508F04          | 64D66508F03          |
| 60         | Frme, Knob 1163    | 07A57407F01          | 07A57407F01             | 07A57407F01                     | 07A57407F01                        | 07A57407F01          | None Use             |
| 68         | Ass'y, MC SW PCB   | *                    | *                       | *                               | *                                  | *                    | None Use             |
| 106        | Scr, CUP M3x6      | 03C42723U01          | 03C42723U01             | 03C42723U01                     | 03C42723U01                        | 03C42723U01          | None Use             |
| 113        | Scr, T-Tite        | 03S44205G02          | 03S44205G02             | 03S44205G02                     | 03S44205G02                        | 03S44205G02          | None Use             |
| 119        | Screw              | None Use             | None Use                | 03S44205G03                     | 03S44205G03                        | None Use             | None Use             |
| 120        | Screw              | None Use             | None Use                | 03S40012G98                     | 03S40012G98                        | None Use             | None Use             |
| S701       | SW, Slide SSR2435  | 40T57372F01          | 40T57372F01             | 40T57372F01                     | 40T57372F01                        | 40T57372F01          | None Use             |
| T001       | Trans, Power       | 25T66801F01          | 25T66801F01             | 25T56590F01                     | 25T56590F01                        | 25T56591F01          | 25T66799F01          |
| F001       | Fuse               | 65T42077U18          | 65T42077U18             | 65T42077U18                     | 65T42077U18                        | 65T52486F12          | 65T57086F07          |
| Q112a, b   | Transistor, Power  | 48T57132F03          | 48T57132F03             | 48T57132F03                     | 48T57132F03                        | 48T57132F03          | 48T57130F03          |
| Q113a, b   | Transistor, Power  | 48T57131F03          | 48T57131F03             | 48T57131F03                     | 48T57131F03                        | 48T57131F03          | 48T57129F03          |
| 204        | Carton, Packing    | 56S60482F42          | 56S60482F42             | 56S60482F42                     | 56S60482F42                        | 56S60482F42          | 56S60482F40          |
| 205        | Pad, Packing       | 56A67614F01          | 56A67614F01             | 56A67614F01                     | 56A67614F01                        | 56A67614F01          | None Use             |
| 206        | Pad, Packing       | 56A67599F01          | 56A67599F01             | 56A67599F01                     | 56A67599F01                        | 56A67599F01          | None Use             |
| F101a, b   | Fuse               | 65T42077U19          | 65T42077U19             | 65T42077U19                     | 65T42077F19                        | 65T57086F09          | 65T57086F09          |
| F102a, b   | Fuse               | 65T42077U19          | 65T42077U19             | 65T42077U19                     | 65T42077F19                        | 65T57086F09          | 65T57086F09          |
| L102a, b   | Choke Coil         | None Use             | 24T67516F01             | None Use                        | None Use                           | None Use             | None Use             |
| L103a, b   | Choke Coil         | None Use             | 24T67516F01             | None Use                        | None Use                           | None Use             | None Use             |
| C101a, b   | Capacitor          | 08C42195G20          | 08T42081U25             | 08C42195G20                     | 08C42195G20                        | 08C42195G20          | 08T42081U01          |
| C102a, b   | Capacitor          | None Use             | 08S40805F11             | None Use                        | None Use                           | None Use             | None Use             |
| C104a, b   | Capacitor          | 23T44501P27          | 23T44501P27             | 23T44501P27                     | 23T44501P27                        | 23T44501P27          | 23T44501P08          |
| C109a, b   | Capacitor          | None Use             | 08T42081U05             | None Use                        | None Use                           | None Use             | None Use             |
| C110a, b   | Capacitor          | None Use             | 08T42081U05             | None Use                        | None Use                           | None Use             | None Use             |
| C111a, b   | Capacitor          | None Use             | 08T42081U05             | None Use                        | None Use                           | None Use             | None Use             |
| C112a, b   | Capacitor          | None Use             | 08T42081U05             | None Use                        | None Use                           | None Use             | None Use             |
| C113a, b   | Capacitor          | 23T43197F17          | 23T43197F17             | 23T43197F17                     | 23T43197F17                        | 23T43197F17          | None Use             |
| C117a, b   | Capacitor          | 08C42195G20          | 08C42195G20             | 08C42195G20                     | 08C42195G20                        | 08C42195G20          | 08C42081U01          |
| C120a, b   | Capacitor          | 23S41198U44          | 23S41198U44             | 23S41198U44                     | 23S41198U44                        | 23S41198U44          | 23S41198U37          |
| C131       | Capacitor          | 23S40657F43          | 23S40657F43             | 23S40657F43                     | 23S40657F43                        | 23S40657F43          | 23S40657F35          |
| C136       | Capacitor          | None Use             | 08S44505P61             | None Use                        | None Use                           | None Use             | None Use             |
| C137       | Capacitor          | None Use             | 08S44505P61             | None Use                        | None Use                           | None Use             | None Use             |
| C138       | Capacitor          | None Use             | 08S44505P61             | None Use                        | None Use                           | None Use             | None Use             |
| C139a, b   | Capacitor          | None Use             | 08S40656F13             | None Use                        | None Use                           | None Use             | None Use             |
| C140a, b   | Capacitor          | None Use             | 08S40656F13             | None Use                        | None Use                           | None Use             | None Use             |
| C150       | Capacitor          | None Use             | 21C45322G33             | None Use                        | None Use                           | None Use             | None Use             |
| C151a, b   | Capacitor          | None Use             | 21C45322G28             | None Use                        | None Use                           | None Use             | None Use             |
| R100a, b   | Resistor           | 06S44593P43          | 06S44593P43             | 06S44593P43                     | 06S44593P43                        | 06S44593P43          | None Use             |
| R101a, b   | Resistor           | None Use             | 06S44593P57             | None Use                        | None Use                           | None Use             | None Use             |
| R132a, b   | Resistor           | 06T55175F47          | 06T00003L41             | 06T55175F47                     | 06T55175F47                        | 06T55175F47          | 06T55175F47          |
| R134a, b   | Resistor           | 06T55175F41          | 06T55175F41             | 06T55175F41                     | 06T55175F41                        | 06T55175F41          | 06T55175F27          |
| R153a, b   | Resistor           | 06T56661F54          | 06T56661F54             | 06T56661F54                     | 06T56661F54                        | 06T56661F54          | 06T56661F53          |
| R160a, b   | Resistor           | None Use             | 06S44593P45             | None Use                        | None Use                           | None Use             | None Use             |
| R161a, b   | Resistor           | None Use             | 06S44593P45             | None Use                        | None Use                           | None Use             | None Use             |
| R162a, b   | Resistor           | None Use             | 06S44593P45             | None Use                        | None Use                           | None Use             | None Use             |
| R163a, b   | Resistor           | None Use             | 06S44593P45             | None Use                        | None Use                           | None Use             | None Use             |
| J01a, b    | Resistor           | Jumper               | 06S40150T45             | Jumper                          | Jumper                             | Jumper               | Jumper               |
| C701a, b   | Capacitor          | 21C45322G31          | 21C45322G31             | 21C45322G31                     | 21C45322G31                        | 21C45322G31          | None Use             |
| R701a, b   | Resistor           | 06S44593P21          | 06S44593P21             | 06S44593P21                     | 06S44593P21                        | 06S44593P21          | None Use             |

# Exploded View



LUX L-235/225  
EXPLODED VIEW

## Exploded View Parts List

Note : \*The parts whose parts numbers are not entered will not be supplied.

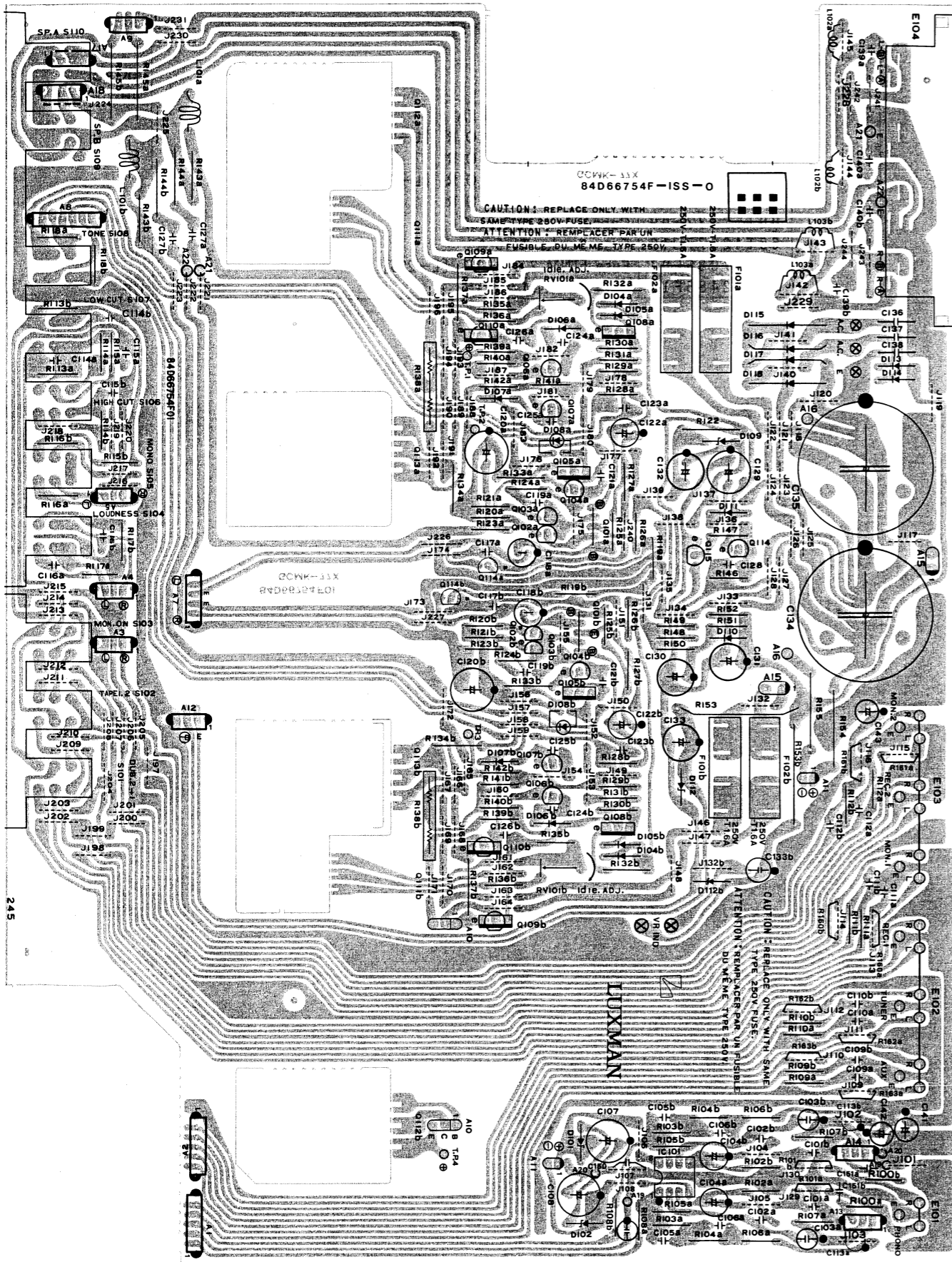
| Index  | Symbol No. | Stock No.   | Description                    | Remarks    |
|--------|------------|-------------|--------------------------------|------------|
| D5     | 1          | *           | Chassis Front                  |            |
| C5     | 2          | 43A66824F01 | Bush, Lamp                     |            |
| E6     | 3          | *           | Bracket, R                     |            |
| G5     | 4          | *           | Ass'y Pre M/A PCB              |            |
| D5     | 6          | 43A62016F02 | Bushing, UZ1077-2              |            |
| D5     | 7          | 40T57371F01 | Switch, Push SUFR1 [L-235]     |            |
| D4     | 8          | 45T57373F01 | Cable, Remote SWR 1198 [L-235] |            |
| C2     | 9          | 09T51830F01 | Plug, Switch P-2120            | AK, AG     |
| C2     | 10         | 09T51831F01 | Socket, Switch M-1615          | AK, AG     |
| F1     | 11         | 09T67078F01 | Inlet, 2P                      | AK, AG     |
| A3     | 12         | *           | Bracket, Trans                 |            |
| G1     | 13         | 09T57066F01 | AC, Outlet S2-724B-04          | UP         |
| C4     | 14         | *           | Bracket, Trans                 |            |
| A2     | 15         | *           | Bracket, Fuse                  |            |
| A2     | 16         | 09T51074F01 | Fuse Holder                    |            |
|        |            | 09T51828F01 | Fuse Holder X-N1157            | UP         |
| A2     | 18         | *           | Spacer, Fuse                   |            |
| A2     | 19         | *           | Lug, Wrap Around               |            |
|        | 20         | *           | Cushion, Rubber                |            |
| B1     | 21         | *           | Spacer, 60x34                  |            |
| E3     | 22         | 07C56635F01 | Heat Sink, 15 [L-225]          |            |
|        |            | 07C56668F01 | Heat Sink, 30                  |            |
| F3     | 26         | *           | Support, Tr                    |            |
| E1, G2 | 27         | 15D56636F21 | Cover, Rear [L-225]            |            |
|        |            | 15D56636F22 | Cover, Rear                    |            |
|        |            | 15D56636F26 | Cover, Rear                    | AK, AG     |
|        |            | 15D56636F29 | Cover, Rear                    | UP         |
| F1, G1 | 28         | 28T43182P02 | Plug, AC Cord                  | SK, SD     |
|        |            | 30T67077F01 | Cord Set                       | AK         |
|        |            | 30T67359F01 | Cord Set                       | AG         |
|        |            | 28T55335P02 | Plug, AC Cord                  | UP         |
| G2     | 29         | 43B41625J02 | Support, Cord                  | SK, SD, UP |
| H2     | 30         | 29T66964F01 | Terminal, GND                  |            |
| G2     | 31         | *           | Lug, Wrap Around               |            |
| F2     | 32         | *           | Bracket, PCB [L-235]           |            |
| C4     | 33         | 40T45561F01 | Switch Power (SDLIP) [L-225]   |            |
|        |            | 40T45561F02 | Switch Power (SDLIP)           |            |
| C4     | 35         | *           | Bush, Cap                      |            |
| G3     | 36         | *           | Ass'y AV Input                 |            |
| C7     | 37         | 01V68100F48 | Ass'y Panel Front [L-225]      |            |
|        |            | 01V68100F58 | Ass'y Panel Front              |            |
| C6     | 38         | 36A66510F01 | Knob, Rotary VR A              |            |
|        |            | 36A66510F02 | Knob, Rotary VR A              | UP         |
| B5     | 39         | 36B66511F01 | Knob, Rotary VR B              |            |
|        |            | 36B66511F03 | Knob, Rotary VR B              | UP         |
| C6     | 40         | 36B66512F01 | Knob, Rotary VR C              |            |
|        |            | 36B66512F03 | Knob, Rotary VR C              | UP         |
| B5     | 41         | 36A56639F02 | Knob, Push 1171                |            |
| C5     | 42         | 36A66836F02 | Knob, Push                     |            |
| C6     | 43         | 36A57180F01 | Knob, Push(B) [L-235]          |            |
| C2     | 44         | 15C56629F02 | Cover, Top                     |            |
| F6     | 45         | *           | Cover, Bottom                  |            |
| A4, G7 | 46         | 75A52969F01 | Pad, Trann-leg                 |            |
| A5     | 47         | *           | Insulator, 50x5                |            |
| B6     | 48         | 61A66858F02 | Filter, Lamp                   |            |
| B7     | 49         | 64D66508F03 | Panel, Front [L-225]           |            |

| Index | Symbol No. | Stock No.   | Description                  | Remarks |
|-------|------------|-------------|------------------------------|---------|
| B7    | 49         | 64D66508F04 | Panel,Front                  |         |
| A5,B7 | 50         | 07B56624F03 | Frame,Panel Side             |         |
| A5    | 51         | 61A56641F01 | Crystal,Indicator            |         |
| B5    | 52         | 43A56628F01 | Spacer,Power                 |         |
| C6    | 53         | 07B56643F01 | Frame,Knob 1140              |         |
| C6    | 54         | 61A61746F01 | Lens 1020-WG1020             |         |
| C6    | 55         | 07A56645F01 | Frame,Knob 1156              |         |
| A5,B5 | 56         | 07A56648F01 | Frame,Knob                   |         |
| B6    | 57         | 07C56907F01 | Frame,Knob 1153              |         |
| B6    | 58         | 07B56646F01 | Frame,Knob 1154              |         |
| B6    | 59         | 07C56647F01 | Frame,Knob 1155              |         |
| C6    | 60         | 07A57407F01 | Frame,Knob 1163 [L-235]      |         |
| B6    | 61         | 61A66643F01 | Crystal,Acryl A              |         |
| D4    | 63         | *           | Ass'y,Tone Control PCB       |         |
| D4    | 64         | *           | Ass'y,Function SW PCB        |         |
| D5    | 65         | *           | Ass'y,VR Control PCB         |         |
| D4    | 66         | *           | Ass'y,HD Phone PCB           |         |
| D4    | 67         | *           | Ass'y,Balance Control PCB    |         |
| F2    | 68         | *           | Ass'y,MC SW PCB [L-235]      |         |
| B3,B4 | 101        | 03S44205G02 | Screw,T-Tite M3x6            |         |
| B5,C5 | 102        | 03C40014G04 | Screw,MCH M3x6               |         |
| E2    | 103        | 03C42723U02 | Screw,CUP M3x8               |         |
| G1,H3 | 104        | 03S40036U18 | Screw,T-Tite M3x8 T.L.       |         |
| G2,H2 | 105        | 03S40012G41 | Screw,Tapping M3x8           |         |
| F2    | 106        | 03C42723U01 | Screw,CUP M3x6 [L-235]       |         |
| F5    | 107        | 03S40018G02 | Screw,Tapping M3x8           |         |
| B4    | 108        | 03S40036U01 | Screw,T-Tite M4x8            |         |
| A1,A2 | 109        | 03S44205G02 | Screw,T-Tite M3x6            |         |
| E4    | 110        | 03C40121T15 | Screw,MCH M3x12              |         |
| F4    | 111        | 03S40012G28 | Screw,Tapping M3x8           |         |
| H2    | 112        | 03S40036U18 | Screw,T-Tite M3x8 T.L.       |         |
| H2    | 113        | 03S44205G02 | Screw,T-Tite M3x6 [L-235]    |         |
| H2    | 114        | 03S40012G41 | Screw,Tapping M3x8           |         |
| A5,A6 | 115        | 03S40012G55 | Screw,Tapping M3x8           |         |
| B1,E3 | 116        | 03S40036U01 | Screw,T-Tite M4x8            |         |
| D1,G7 | 117        | 03S44205G02 | Screw,T-Tite M3x6            |         |
| A4,G7 | 118        | 03S44205G25 | Screw,T-Tite M4x10           |         |
| C2    | 119        | 03S44205G03 | Screw,T-Tite M3x8            | AK,AG   |
| F1    | 120        | 03S40012G98 | Screw,Tapping M3x8 Flat      | AK,AG   |
| D4    |            | 18T56663F01 | Volume 50KCx2                |         |
| C4    |            | 18T56663F01 | Volume 50KCx2                |         |
| E5    |            | 18T68333F01 | Volume 10KBx2                |         |
| E5    |            | 18T56666F01 | Volume 250KW                 |         |
| G3    |            | 09T57203F01 | Plate,Phono 2P               |         |
| G4    |            | 09T57203F01 | Plate,Phono 2P               |         |
| G4    |            | 09T57203F02 | Plate,Phono 6P               |         |
| G4    |            | 09T57203F02 | Plate,Phono 6P               |         |
| F4    |            | 09T51101F01 | Terminal,SP                  |         |
| C4    |            | 09T56010F01 | Jack,Head Phone M1669        |         |
| E5    |            | 40T56653F01 | Switch,Push SUN 33           |         |
| E5    |            | 40T56667F01 | Switch,Push SUN73            |         |
| D4    |            | 40T56664F01 | Switch,Rotary SRZ            |         |
| F2    |            | 40T57372F01 | Switch,Slide SSR2435 [L-235] |         |
| D6    |            | 65T66752F02 | Lamp,Pilot ORG               |         |
| D6    |            | 65T66752F02 | Lamp,Pilot ORG               |         |
| D6    |            | 65T66752F03 | Lamp,Pilot GRN               |         |
| D6    |            | 65T66752F02 | Lamp,Pilot ORG               |         |
| D5    |            | 65T66752F01 | Lamp,Pilot                   |         |

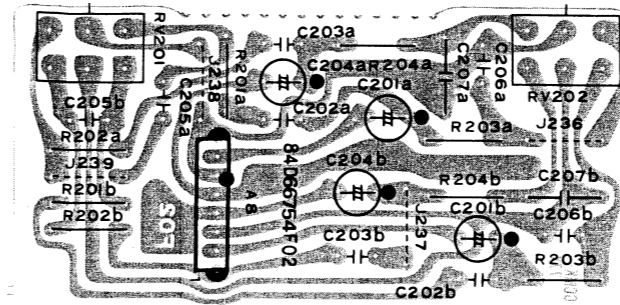
| Index | Symbol No. | Stock No.   | Description                    | Remarks |
|-------|------------|-------------|--------------------------------|---------|
| B2    |            | 25T66799F01 | Trans Power [L-225]            |         |
|       |            | 25T66801F01 | Trans Power                    |         |
|       |            | 25T56590F01 | Trans Power 230E               | AK,AG   |
|       |            | 25T56591F01 | Trans Power 230U               | UP      |
| E3,F3 |            | 48T47682F02 | Transistor 2SC1845 FA          |         |
| E4,F5 |            | 48T57130F03 | Transistor 2SC3180 O,R [L-225] |         |
|       |            | 48T57132F03 | Transistor 2SC3181 O,R         |         |
| F4    |            | 48T57129F03 | Transistor 2SA1263 O,R [L-225] |         |
|       |            | 48T57131F03 | Transistor 2SA1264 O,R         |         |
| C4    |            | 08T57437F09 | Capacitor (Ac) 0.01uF          |         |
| A1    |            | 65T42077U18 | Fuse Semko T1.6 A              |         |
|       |            | 65T57086F07 | Fuse 51NM 2.0 -250 [L-225]     |         |
|       |            | 65T52486F12 | Fuse MF61NM 5-125              | UP      |

# PCB

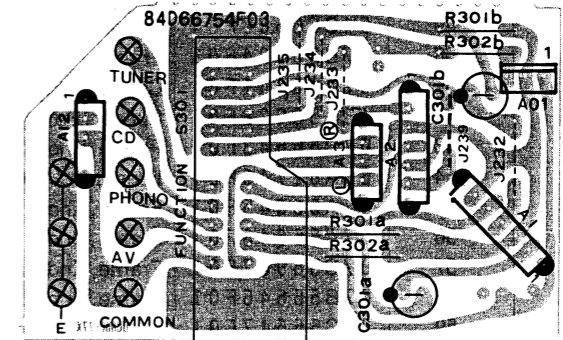
## Pre Main Amp PCB



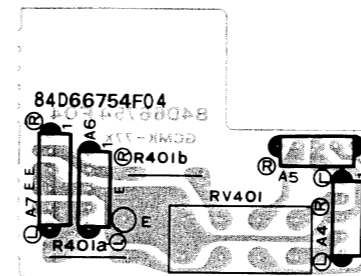
## Tone Control PCB



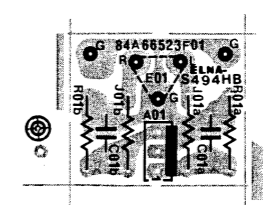
## Function SW PCB



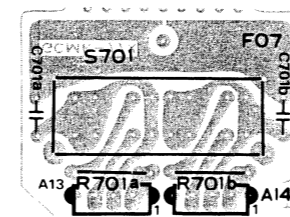
## VR Control PCB



## AV Input Terminal PCB



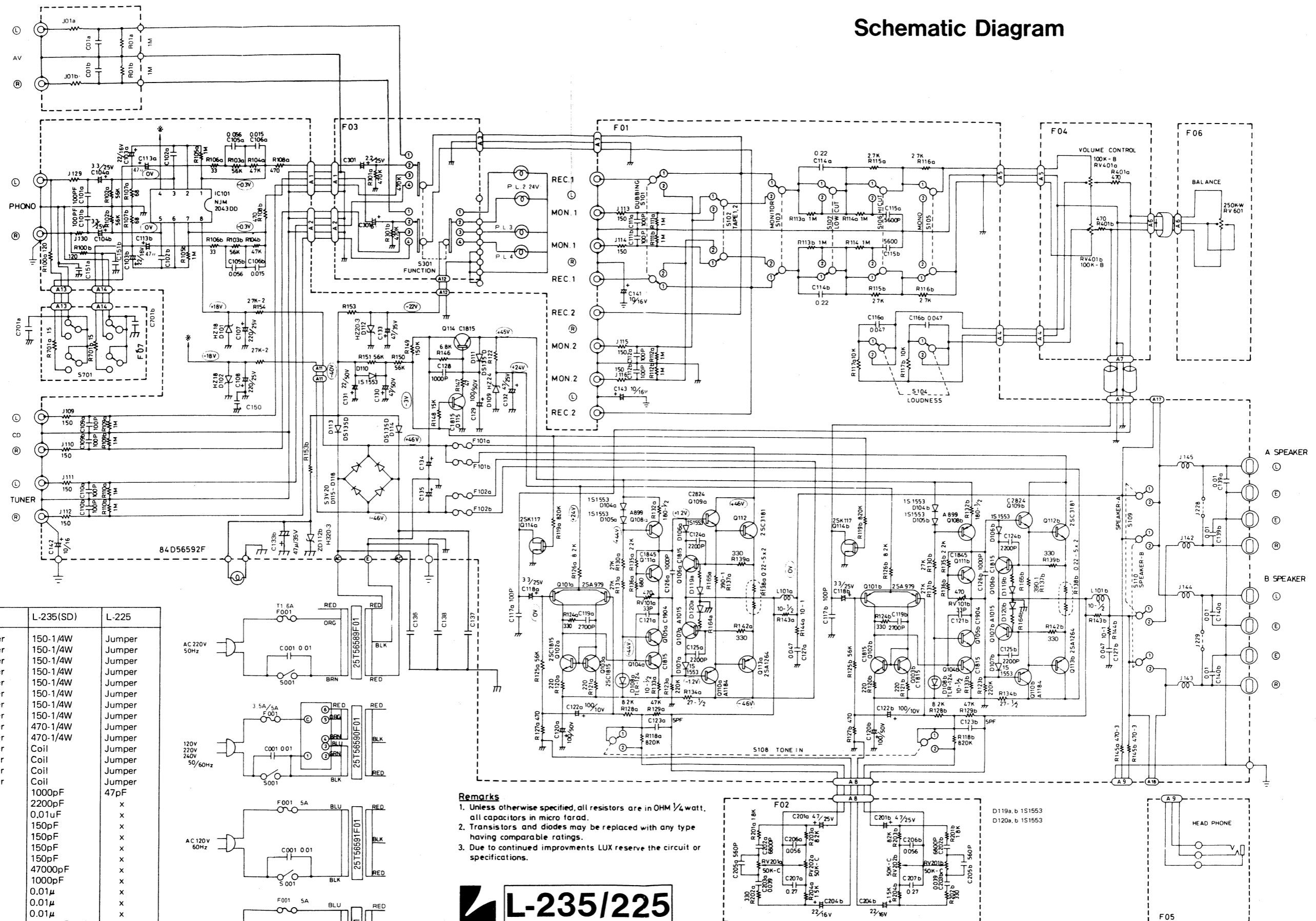
## MC SW PCB



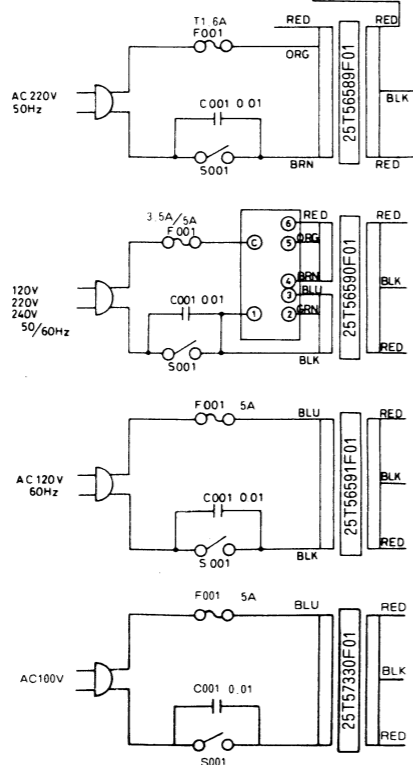




# Schematic Diagram

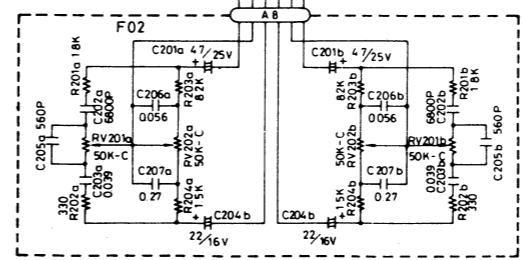


| Symbol No. | L-235   | L-235(SD) | L-225  |
|------------|---------|-----------|--------|
| J109       | Jumper  | 150-1/4W  | Jumper |
| J110       | Jumper  | 150-1/4W  | Jumper |
| J111       | Jumper  | 150-1/4W  | Jumper |
| J112       | Jumper  | 150-1/4W  | Jumper |
| J113       | Jumper  | 150-1/4W  | Jumper |
| J114       | Jumper  | 150-1/4W  | Jumper |
| J115       | Jumper  | 150-1/4W  | Jumper |
| J116       | Jumper  | 150-1/4W  | Jumper |
| J129       | Jumper  | 470-1/4W  | Jumper |
| J130       | Jumper  | 470-1/4W  | Jumper |
| J142       | Jumper  | Coil      | Jumper |
| J143       | Jumper  | Coil      | Jumper |
| J144       | Jumper  | Coil      | Jumper |
| J145       | Jumper  | Coil      | Jumper |
| C101a, b   | 47pF    | 1000pF    | 47pF   |
| C102a, b   | x       | 2200pF    | x      |
| C139a, b   | x       | 0.01uF    | x      |
| C109a, b   | x       | 150pF     | x      |
| C110a, b   | x       | 150pF     | x      |
| C111a, b   | x       | 150pF     | x      |
| C112a, b   | x       | 150pF     | x      |
| C150       | x       | 47000pF   | x      |
| C151a, b   | x       | 1000pF    | x      |
| C136       | x       | 0.01μ     | x      |
| C137       | x       | 0.01μ     | x      |
| C138       | x       | 0.01μ     | x      |
| C701a, b   | x       | 10000pF   | x      |
| F102a, b   | T2A     | T2A       | 3A     |
| F101a, b   | T2A     | T2A       | 3A     |
| R153       | 360-3   | 360-3     | 330-3  |
| S701       | x       | x         | x      |
| R701a, b   | 15 1/4  | 15 -1/4   | x      |
| R100a, b   | 120 1/4 | 120-1/4   | x      |



**Remarks**  
 1. Unless otherwise specified, all resistors are in OHM 1/4 watt, all capacitors in micro farad.  
 2. Transistors and diodes may be replaced with any type having comparable ratings.  
 3. Due to continued improvements LUX reserve the circuit or specifications.

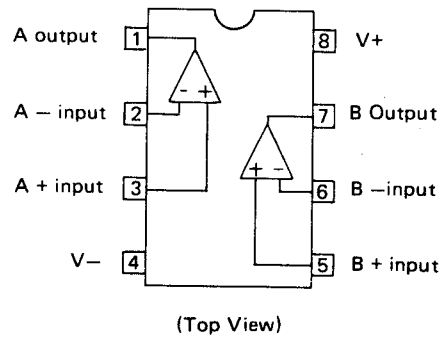
**L-235/225**



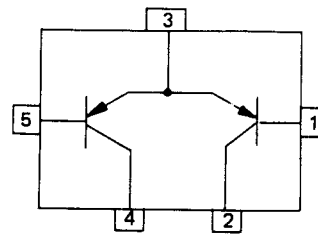
D119a, b 1S1553  
 D120a, b 1S1553

# IC Handling Guide

NJM2043D-D  
IC101  
(Stock No. 51T52153F01)



TR, 2SA979G  
Q101a,b  
(Stock No. 48T53430F01)



1-235/225

# Specifications

|   | L-235   | L-225   |
|---|---|---|
| Power Output:                               |   |   |
| 8 ohms, 1KHz                                | 70Wx2   | 60Wx2   |
| Distortion:                                 | 0.02%   | 0.02%   |
| Input Sensitivity/Impedance:                |   |   |
| Phono MM                                    | 1.8mV/50K ohms                                | 1.8mV/50K ohms                                |
| Phono MC                                    | 0.3mV/100 ohms                                |   |
| Tuner, Monitor                              | 160mV/40K ohms                                | 160mV/40K ohms                                |
| AV, CD                                      | 160mV/40K ohms                                | 160mV/40K ohms                                |
| S/N Ratio:                                  |   |   |
| Phono MM (IHF-A weighted, 5mV, input short) | 90dB  | 90dB  |
| Phono MC (IHF-A weighted)                   | 67dB  | —   |
| Tuner, Monitor (IHF-A weighted)             | 107dB   | 107dB   |
| AV/CD (IHF-A weighted)                      | 107dB   | 107dB   |
| Residual Noise:                             | 0.5mV   | 0.5mV   |
| Filter:                                     |   |   |
| High cut                                    | 7KHz (-6dB/oct)                               | 7KHz (-6dB/oct)                               |
| Subsonic                                    | 20Hz (-6dB/oct)                               | 20Hz (-6dB/oct)                               |
| Phono MM Overload:                          | 130mV   | 130mV   |
| Frequency Response:                         |   |   |
| Phono MM                                    | 20Hz~20KHz ( $\pm 0.5$ dB)                    | 20Hz~20KHz ( $\pm 0.5$ dB)                    |
| Tuner, Monitor                              | 10Hz~100KHz (+0, -1.5dB)                      | 10Hz~100KHz (+0, -1.5dB)                      |
| AV/CD                                       | 10Hz~100KHz (+0, -1.5dB)                      | 10Hz~100KHz (+0, -1.5dB)                      |
| Tone Control:                               |   |   |
| Treble                                      | $\pm 8$ dB at 10KHz                           | $\pm 8$ dB at 10KHz                           |
| Bass  | $\pm 8$ dB at 100Hz                           | $\pm 8$ dB at 100Hz                           |
| Loudness (Volume: -3dB):                    | +8dB at 100Hz                                 | +8dB at 100Hz                                 |
| Dimensions:                                 | 453(W)x317(D)x111(H) mm<br>(17.8"x12.5"x4.4") | 453(W)x317(D)x111(H) mm<br>(17.8"x12.5"x4.4") |
| Weight:                                     |   |   |
| Net   | 7.3kgs  | 6.4kgs  |
| Gross                                       | 8.5kgs  | 7.7kgs  |
| Power Consumption:                          | 120V/2.3A<br>(CSA rated)                      | 120V/2A<br>(CSA rated)                        |

Specifications and appearance design subject to change without notice.



## LUX CORPORATION, JAPAN

2-3, 1-CHOME, MINAMI-YUKIGAYA, OHTA-KU, TOKYO 145, JAPAN  
 PHONE: 03-726-6211 TELEX: 2466953 LUXMAN J FACS: 03-728-7609